





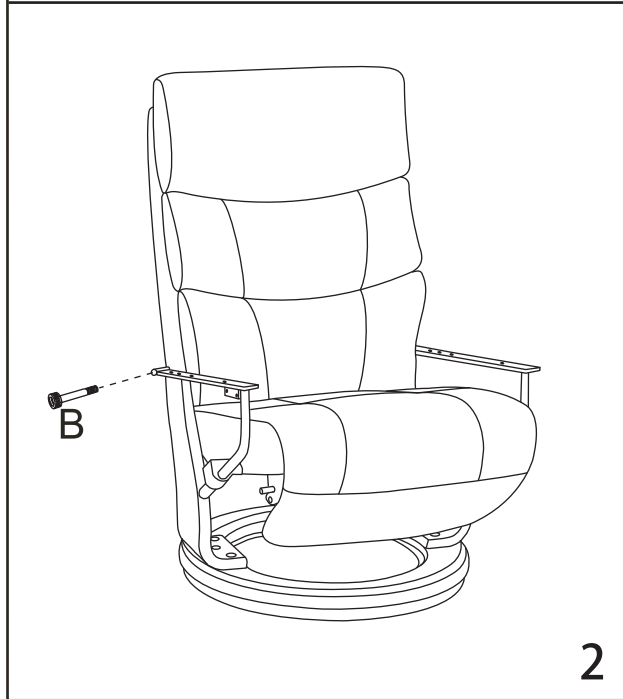


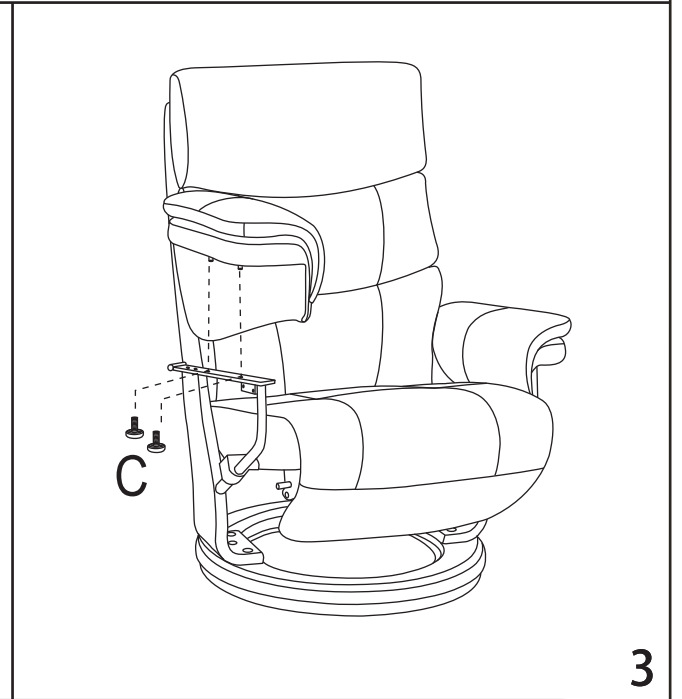
1

DURING ASSEMBLY CHECK AND TIGHTEN ALL BOLTS

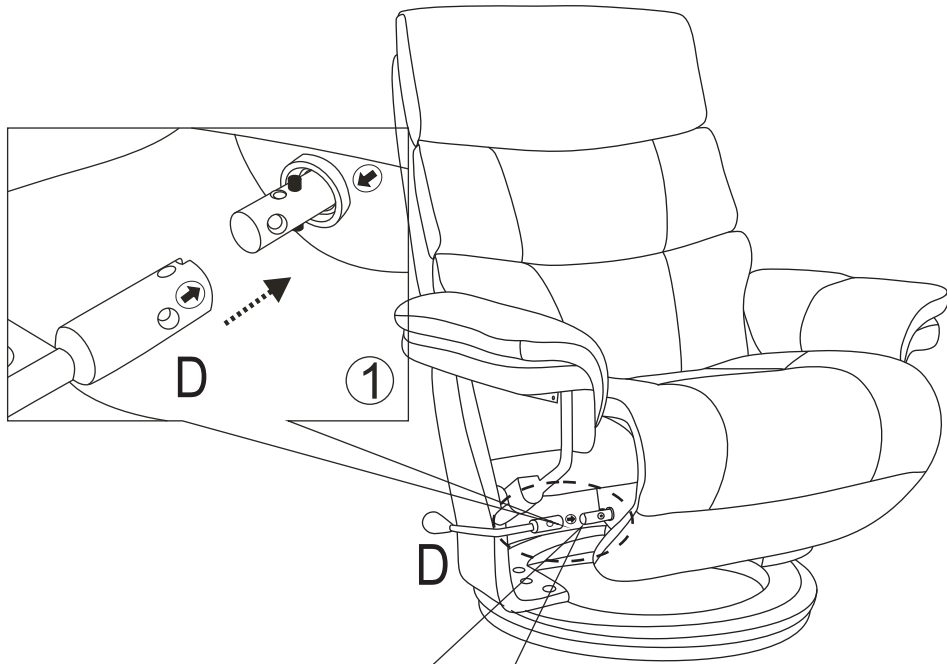
A	 M8X35	2PCS	D	 1PC	
B	 M8X70	2PCS	E	 M6X16	2PCS
C	 M6X20	4PCS	F	 1SET	



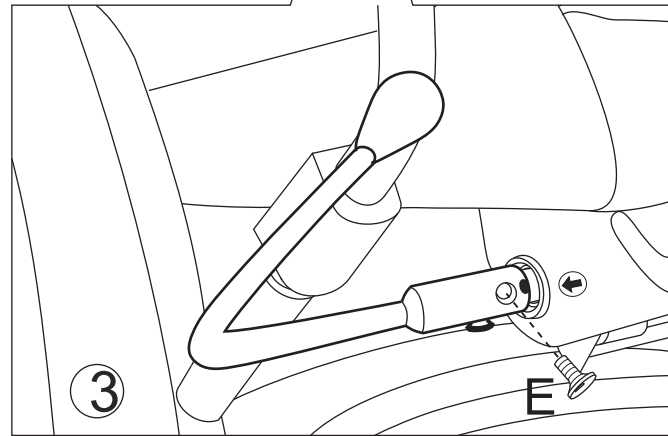
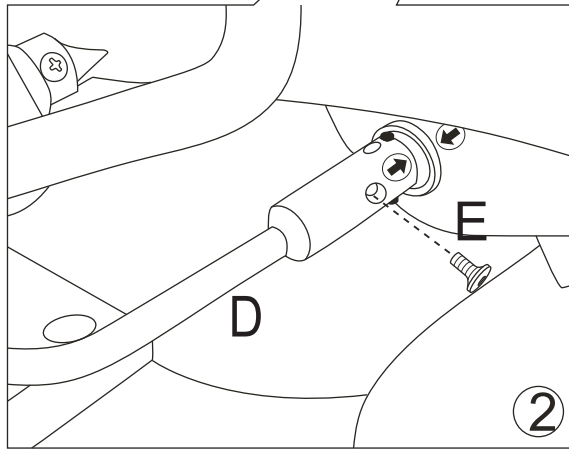
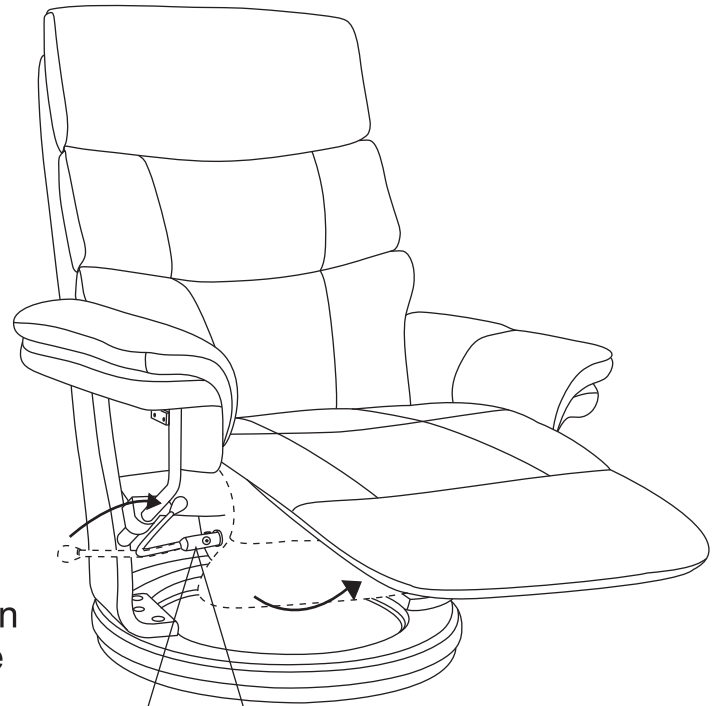
2

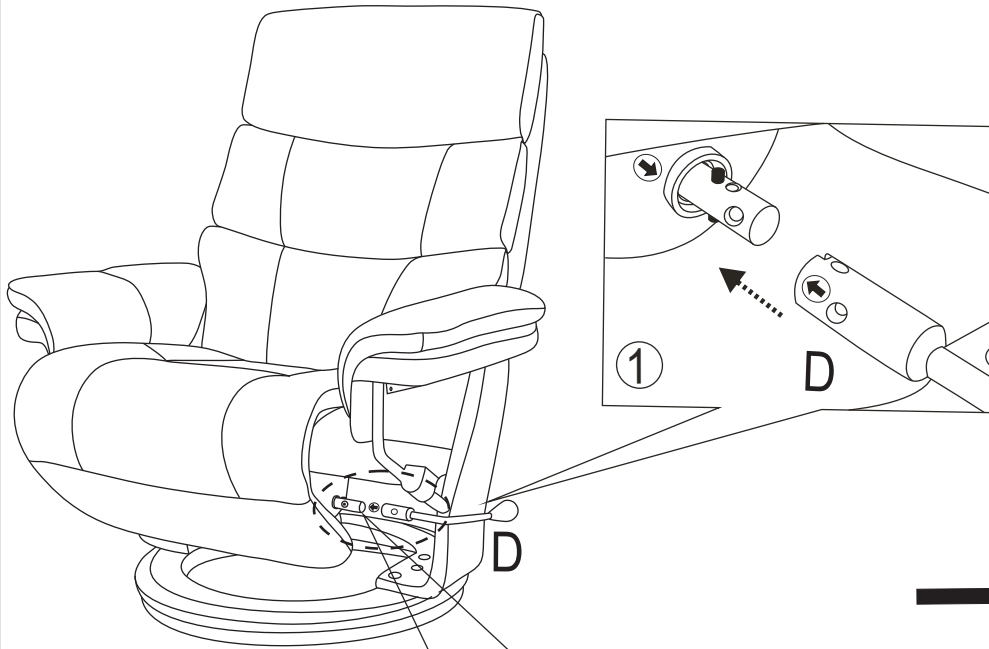


3

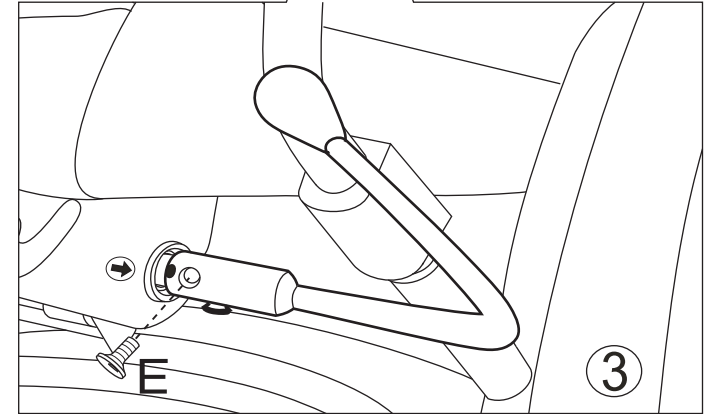
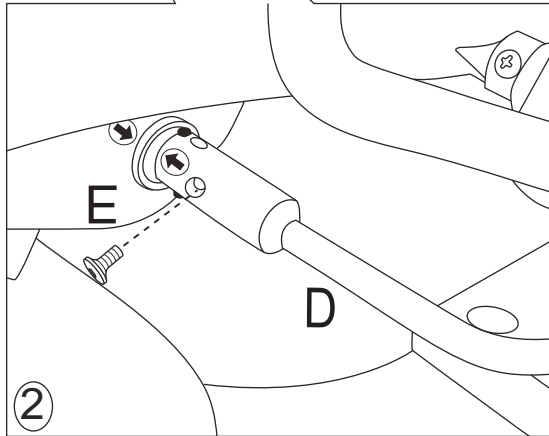
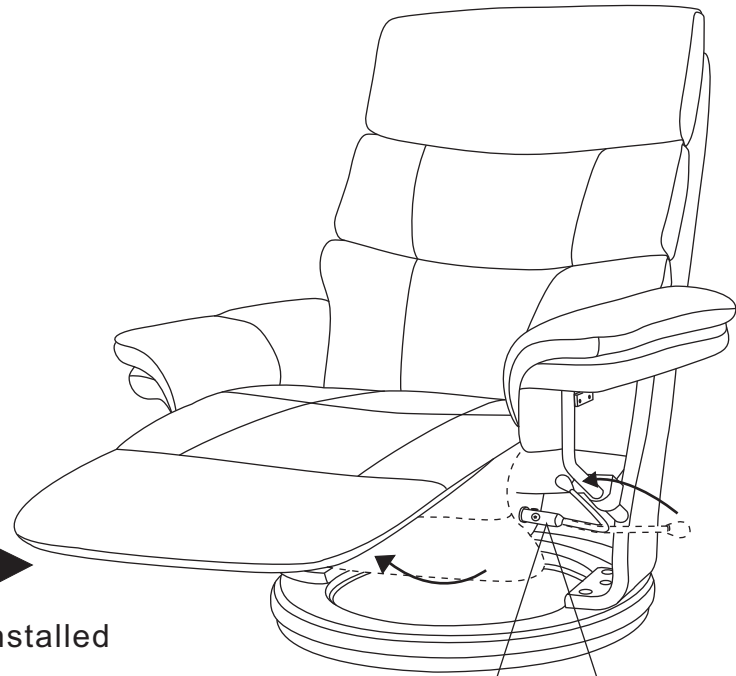


Be sure to push the handle to this position before you assemble the second bolt



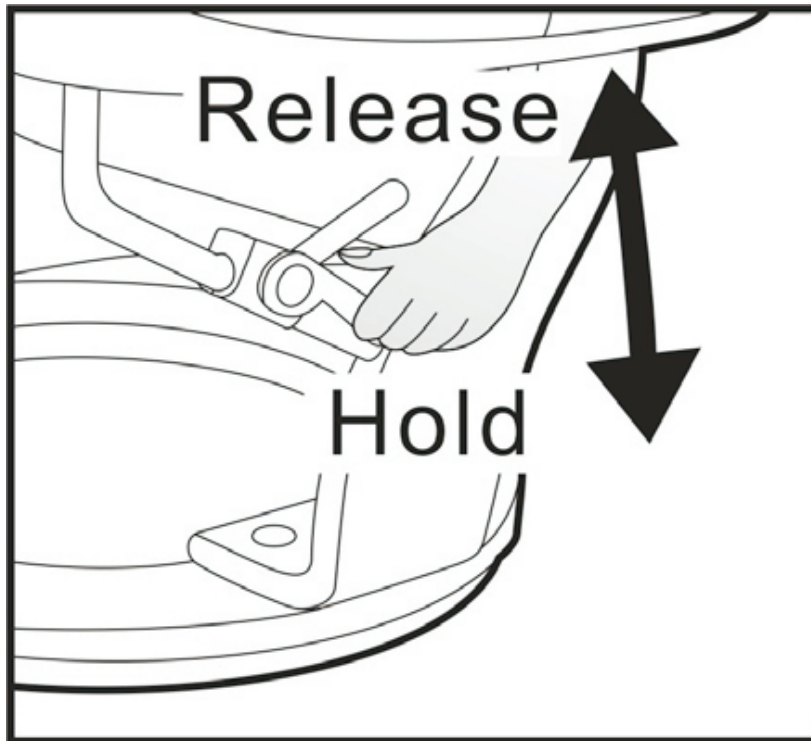


Handle may be installed on both sides



Recliner Position Control

Hold and Release:



Caution:

Avoid placing hand between lever and frame.

