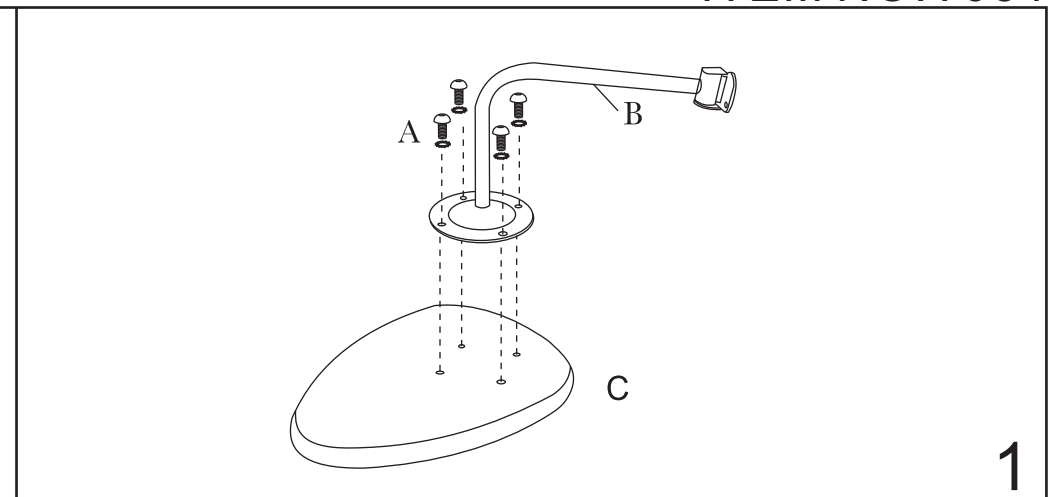
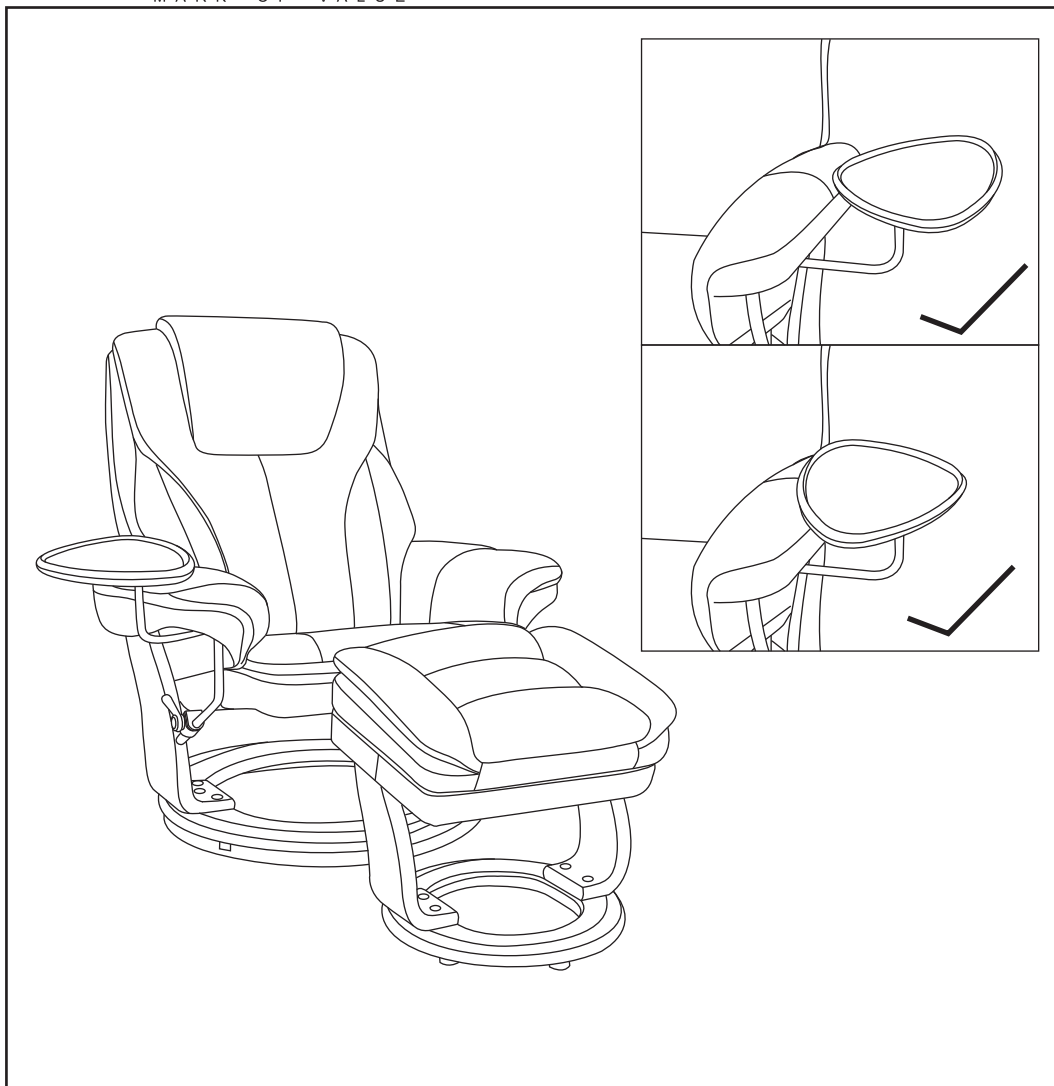


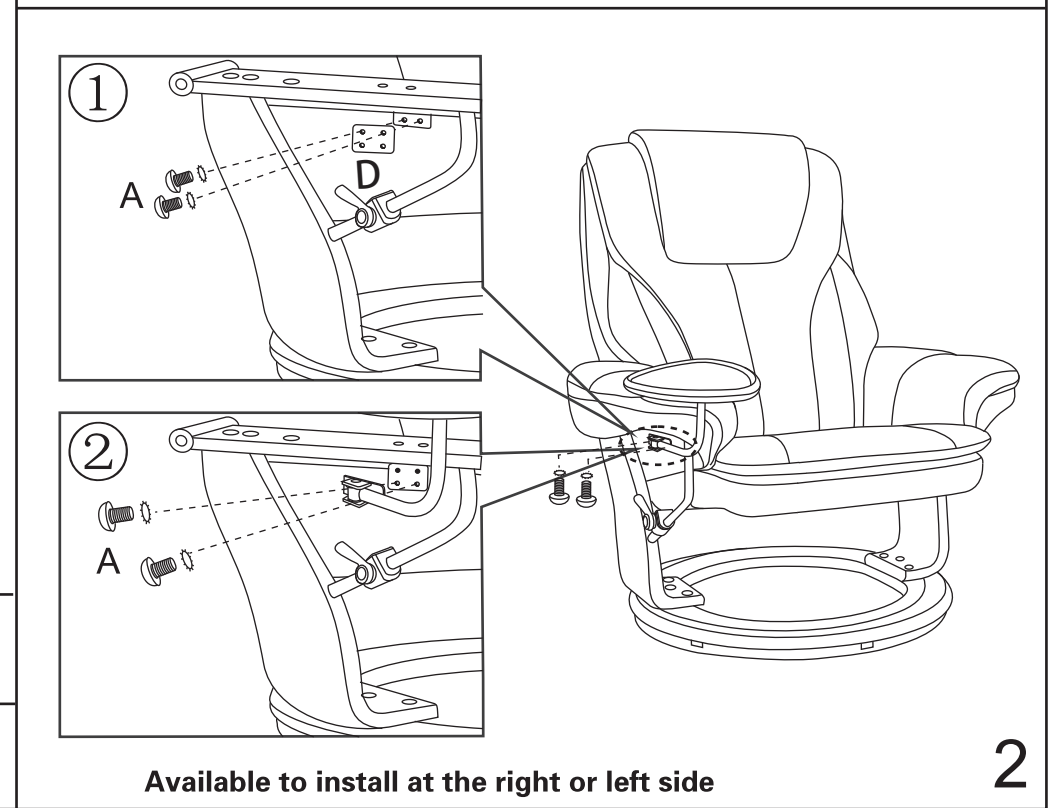
# Side Table

ITEM NO:T031



1

A		8PCS	B		1PC	C		1PC
D		1PC	E		1PC			



Available to install at the right or left side

2