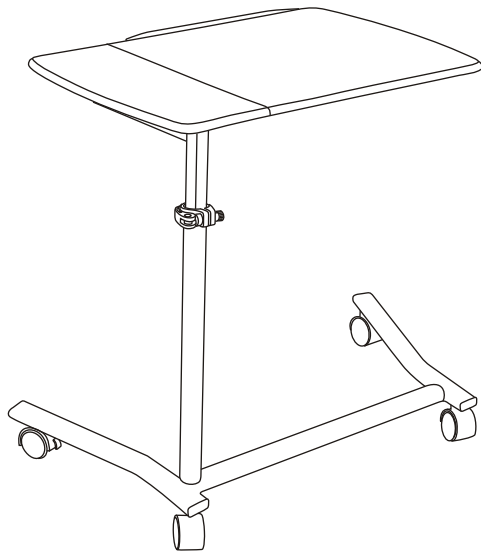


ASSEMBLY PARTS LIST

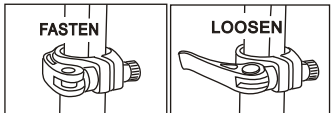


ASSEMBLY PARTS LIST

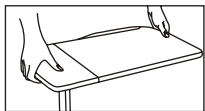
A		X2
B		X2
C		X2
D		X2
E		X1
F		X1
G		X1

HEIGHT ADJUSTMENT PROCEDURE

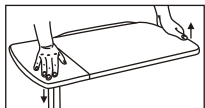
Loosen the knob when adjust the table height



Loosen the knob to lift up



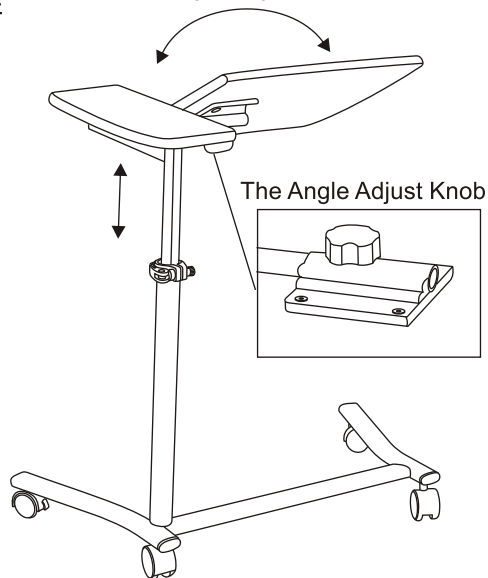
Loosen the knob, then push down



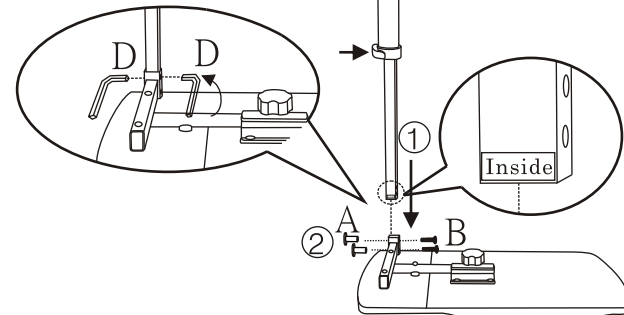
Suggestions:

The table is supported by a single post, please use both hands to lift up or push down the table.

Angle Adjustment

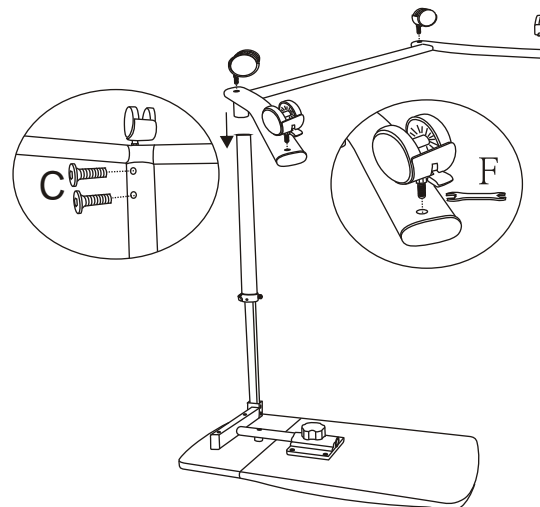


1

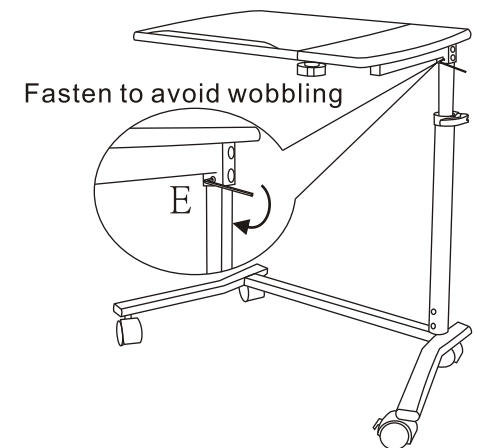


Please make sure this part is at the same side as the "Inside" label below.

2



3



Fasten to avoid wobbling